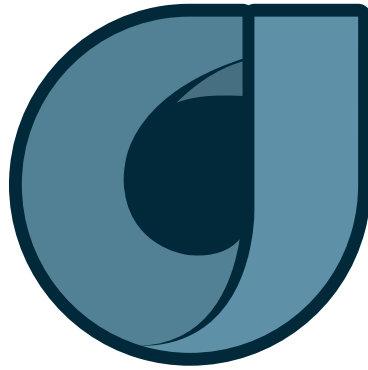


# CANDIGRA



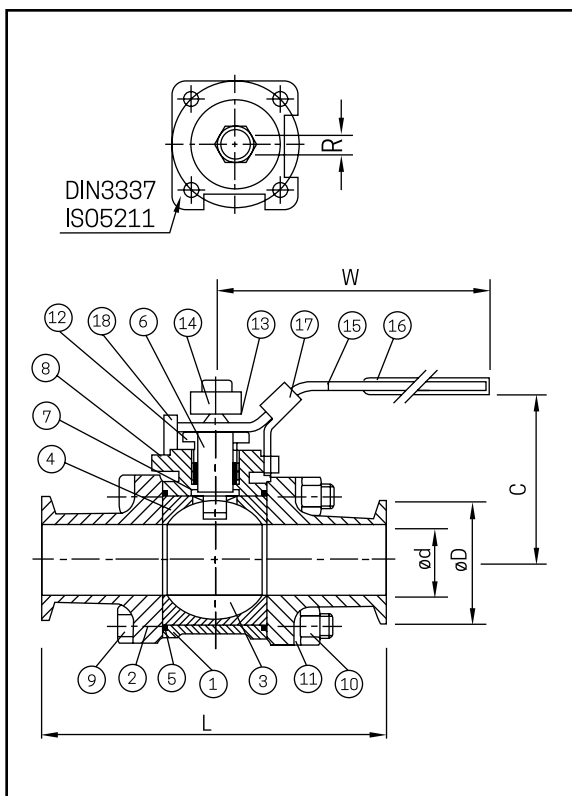
## Valvula Bola 2 Vías 3 Piezas



**COEBSA**

Valvula Bola 2 Vías 3 Piezas

## VALVULA BOLA 2 VÍAS 3 PIEZAS

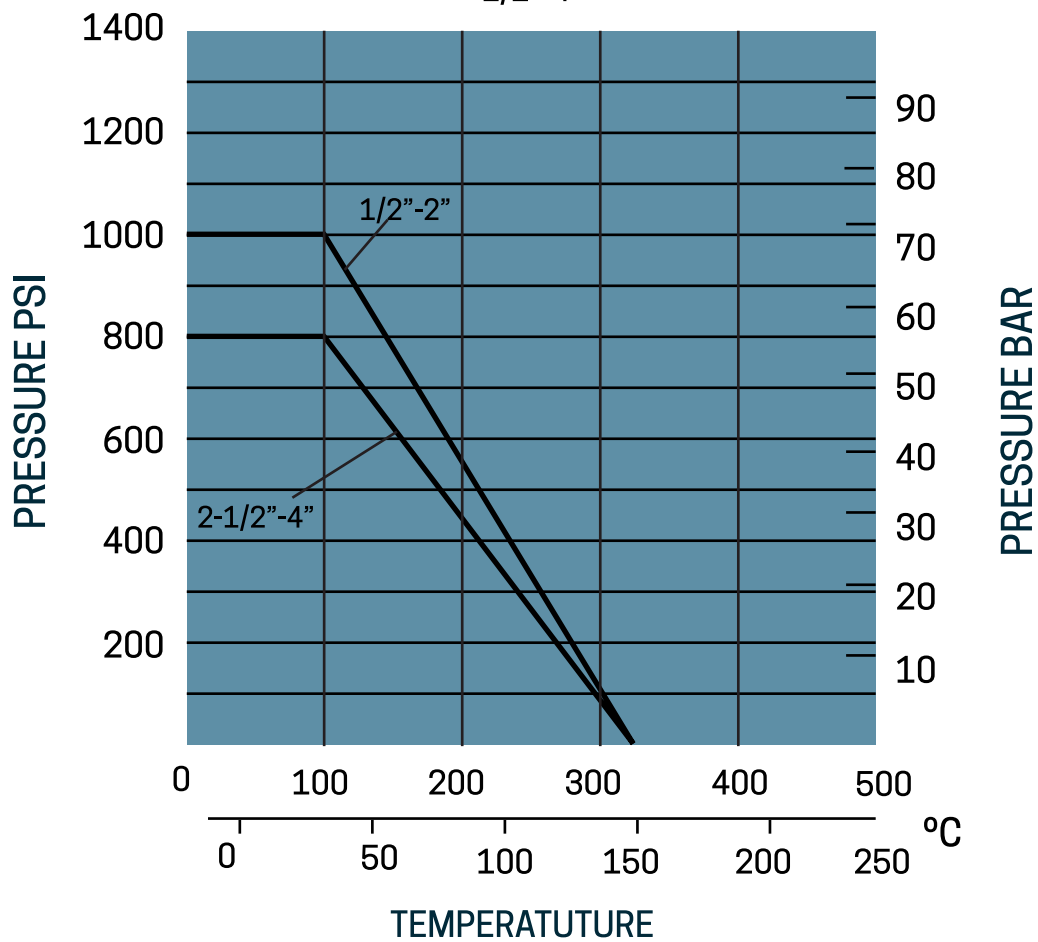


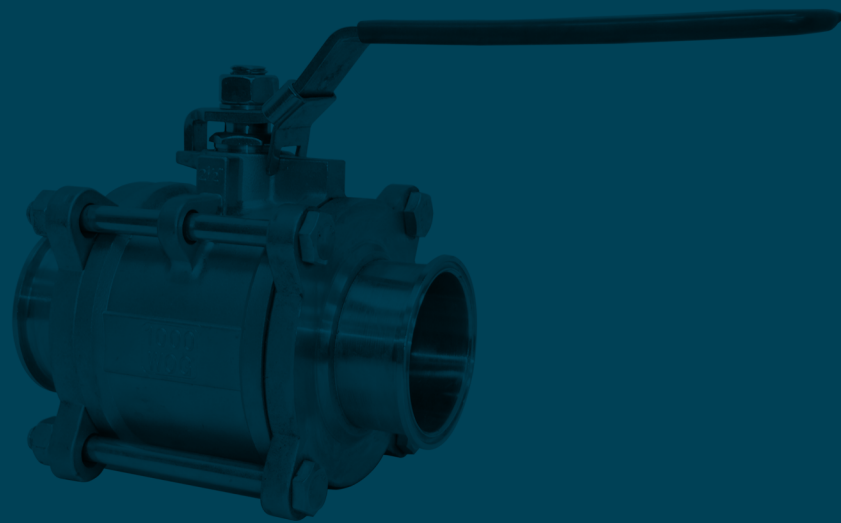
NO.	PART NAME	MATERIAL
1	Body	ASTM-A351-CF8M
2	Cap	ASTM-A351-CF8M
3	Ball	A351-CF8M
4	Seat	PTFE
5	Gasket	PTFE
6	Stem	ANSI-316
7	Thrust Washer	PTFE
8	Stem Packing	PTFE
9	Bolt	ANSI-304
10	Hex Nut	ANSI-304
11	Bolt Washer	ANSI-304
12	Gland	ANSI-304
13	Washer	ANSI-304
14	Nut	ANSI-304
15	Handle	ANSI-304
16	Plastic Cover	Plastic
17	Lock Device	ANSI-304
18	Stop Pin	ANSI-304

Size	DN	ISO 5211	C	L	W	od	oD	R	L1
1/2"	15	F03	60	89	132	9.5	25.4	5	32.75
3/4"	20	F03	64.5	64.5	131.5	15.8	25.4	5	36.5
1.0"	25	F04	69.2	69.2	165	22.2	50.4	6.5	40
1-1/2"	40	F05	89.26	89.26	194.3	35	50.4	8.5	43.5
2.0"	50	F05	97.26	97.26	194.3	47.6	63.9	8.5	45.75
1-1/2"	65	F07	126.8	126.8	252	60.3	77.5	12	56
3.0"	80	F07	135.3	135.3	252	73	90.9	12	64.5
4.0"	100	F10	158.8	158.8	332	97.4	118.9	16	60.6

# PRESSURE TEMPERATURE RATING

1/2"-4"





[www.coetsa.com.mx](http://www.coetsa.com.mx)